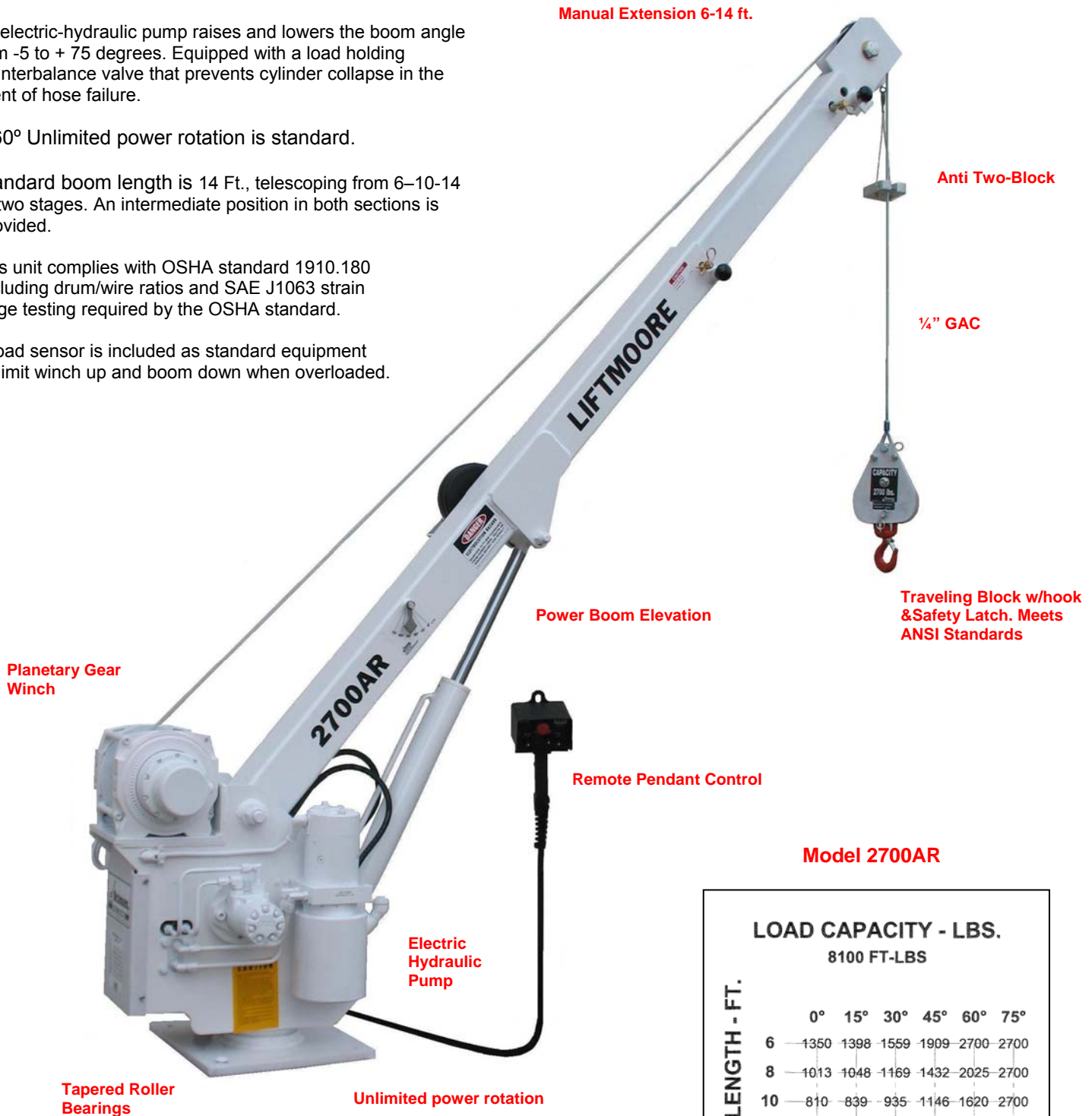


LIFTMOORE 2700AR CRANE


8,100 FT.-LB. MOMENT RATING
2,700 LB. MAXIMUM CAPACITY.

- The 2700AR is designed for your light duty lifting requirements where power boom elevation and power rotation is desired.
- A power elevation cylinder provides full control of the load radius while loaded.
- An electric-hydraulic pump raises and lowers the boom angle from -5 to + 75 degrees. Equipped with a load holding counterbalance valve that prevents cylinder collapse in the event of hose failure.
- 360° Unlimited power rotation is standard.
- Standard boom length is 14 Ft., telescoping from 6–10–14 in two stages. An intermediate position in both sections is provided.
- This unit complies with OSHA standard 1910.180 including drum/wire ratios and SAE J1063 strain gage testing required by the OSHA standard.
- A load sensor is included as standard equipment to limit winch up and boom down when overloaded.



Model 2700AR

LOAD CAPACITY - LBS.		8100 FT-LBS					
BOOM LENGTH - FT.	ANGLE						
	0°	15°	30°	45°	60°	75°	
6	1350	1398	1559	1909	2700	2700	
8	1013	1048	1169	1432	2025	2700	
10	810	839	935	1146	1620	2700	
12	675	699	779	955	1350	2608	
14	579	599	668	818	1157	2235	

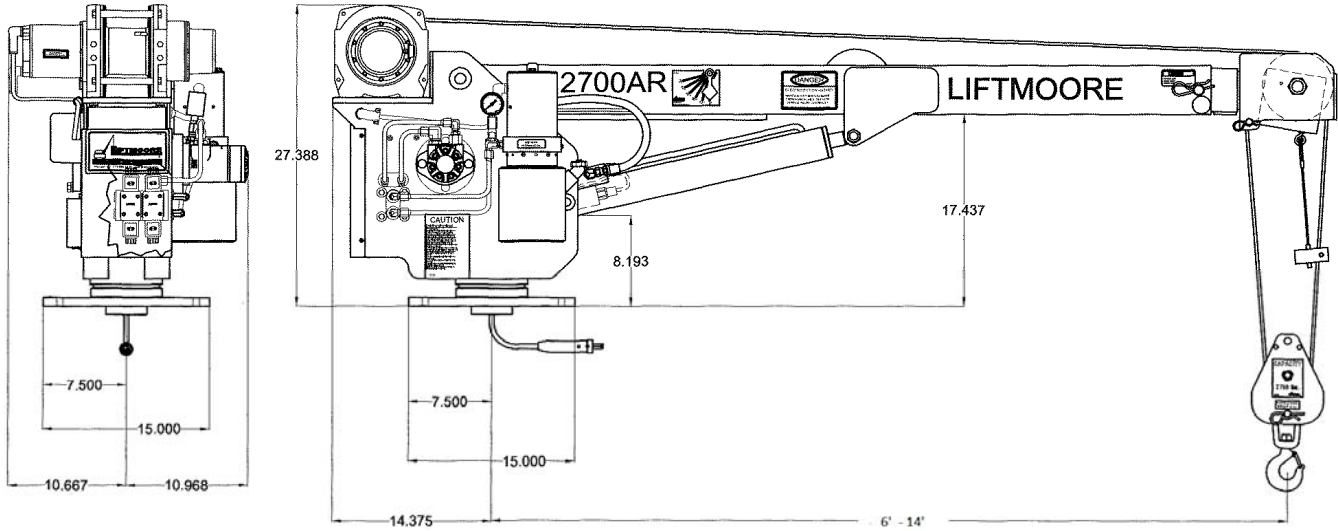

 713-688-5533
 WWW.LIFTMOORE.COM

22372



HOUSTON, TEXAS
 FAX: (800) 824-5559 (USA & Canada)
 FAX: (713) 688-6324
 PHONE: (713) 688-5533
 www.liftmoore.com

2700AR SPECIFICATIONS



MOMENT RATING: 8,100 Ft.-Lbs.

LIFT CAPACITIES:

- 2700 Lbs. @ 3 Ft. *
- 1350 Lbs. @ 6 Ft.
- 810 Lbs. @ 10 Ft.
- 578 Lbs. @ 14 Ft.

* Two part line required for loads above 2000 Lbs.

BOOM: Standard boom length is 6 ft. manually telescoping to 14 Ft. in two stages with an intermediate position in each section

Boom is raised by a double acting cylinder with counterbalance valve for safety.

HOIST WINCH: The hoist winch has a planetary gear drive for best possible efficiency A 2.7 HP permanent magnet electric motor powers the winch. Load is controlled by a load apportioned mechanical brake located in the winch drum. Ratio between winch drum and wire rope meets ANSI B30.5 requirements.

First layer performance of the winch is as follows:

Load-Lbs	Hook Speed-Ft/ Min.	Electrical-Amps @ 12VDC
1000	13.1	64
2000*	11.9	115

WIRE ROPE and SHEAVES: The crane is supplied with 62 Ft. of ¼ in. galvanized aircraft cable. Minimum breaking strength of the rope is 7000 lbs. The wire rope is outside of the boom and visible for operators continual inspection. A traveling block for easy two-part hookup is included. All sheaves meet ANSI requirements.

HYDRAULIC SYSTEM: A 12 volt D.C. electric-hydraulic pump supplies 1.3 GPM @ 500 PSI. Control of cylinder and rotation motor is by 4-way solenoid valves.

ROTATION SYSTEM: Rotation is continuous and unlimited. The Crane rotates on tapered roller bearings for smooth, long lasting operation. Power rotation is driven by a low speed, high torque hydraulic motor and drives through a 36:1 ratio self locking worm gear. The worm gear is an Aluminum Bronze Alloy. The worm is hardened steel. The crane rotates without limit on two 3.75" ID Tapered roller bearings.

REMOTE PENDANT CONTROL: An 18-Ft. long remote pendant is provided for control of each powered function. The pendant control is removable from the crane to prevent unauthorized use of the crane. An E-Stop is included for emergency shutdown of all crane power as required by OSHA.

LOAD SENSOR: A load-limiting sensor is supplied as standard. This sensor will shut down hoist up & boom down when an overload is detected. The sensor will reset after the load is lowered. Boom up is limited by the pressure relief setting in the pump.

ANTI TWO-BLOCK: Anti two-block is standard on this crane and prevents the travel block from striking the bottom of boom with possible wire rope damage.

POWER SOURCE: Crane is powered by the truck's 12 volt DC system. A second battery, installed near the crane, is recommended to keep the voltage as high as possible and should be installed in parallel with the vehicle's battery. A Group 31 DEEP CYCLE battery is recommended. 25 Ft of #1 battery cable with quick disconnect is included along with a 3-ft ground wire, 150 amp circuit breaker and master cut off switch.

MOUNTING: A minimum 9,000 Lb. GVWR recommended. An 8,600-Lb or larger GVWR chassis is recommended. Four 0.5" X 3.0" long Grade 8 hex head cap screws and lock nuts are provided. Mounting plate is 15" square with a 12" square bolt pattern.

OUTRIGGERS or JACKSTAND An optional Jackstand or Outrigger is needed for truck stability and to reduce the load on both the crane's rotation mechanism and the truck's suspension.



HOUSTON, TEXAS
 FAX: (800) 824-5559 (USA & Canada)
 FAX: (713) 688-6324
 PHONE: (713) 688-5533
 www.liftmoore.com